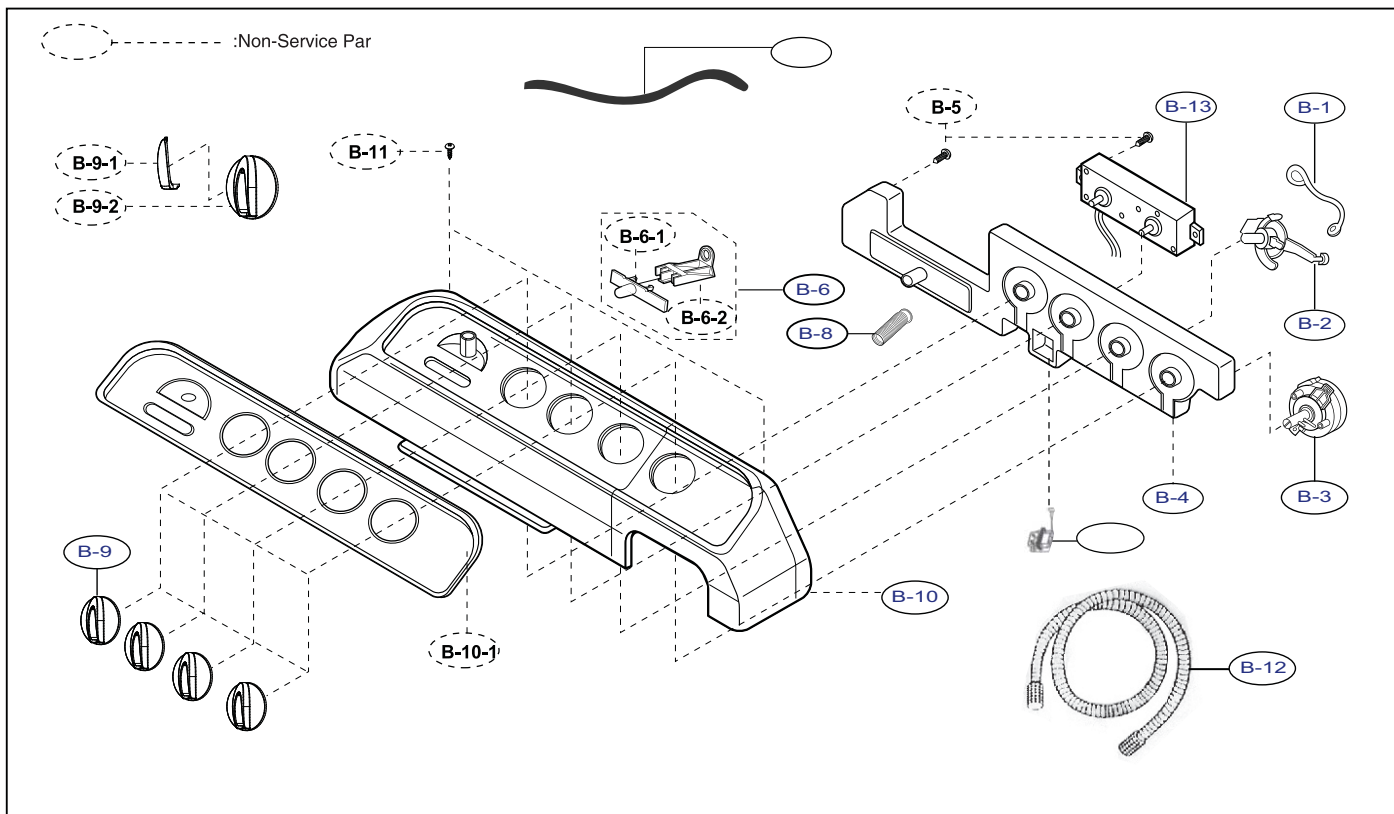
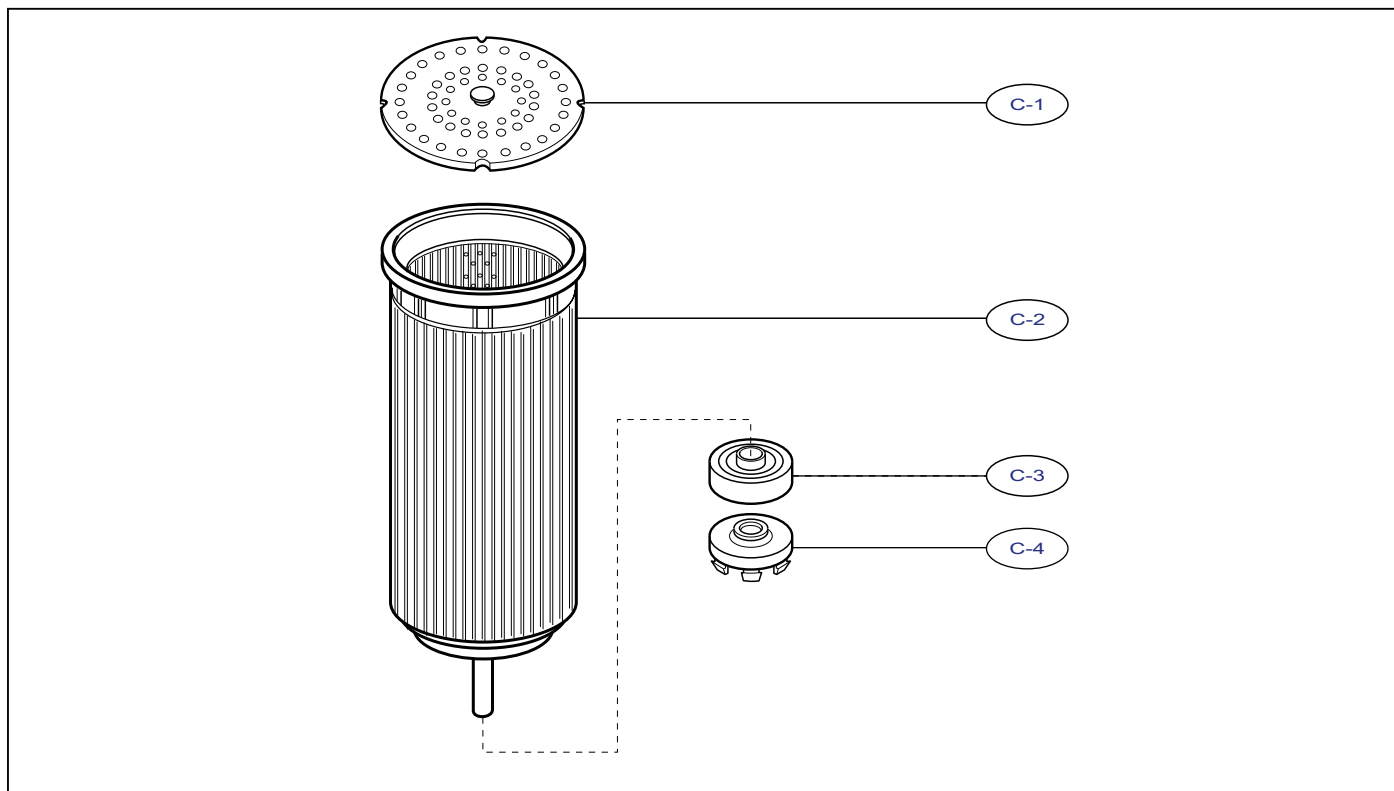


# 9. EXPLODED VIEWS AND REPLACEMENT PARTS LIST

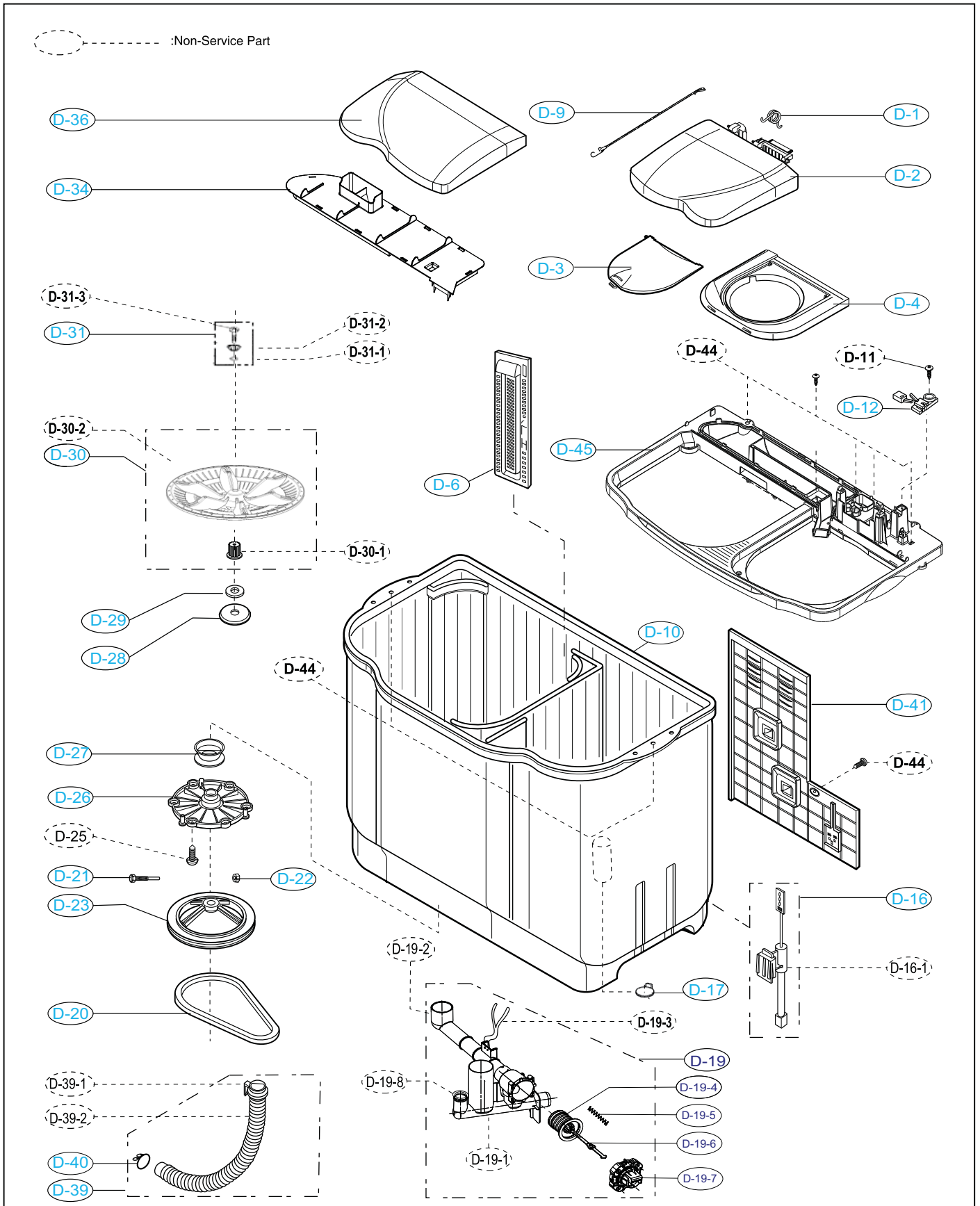
## B. EXPLODED VIEWS OF PANEL PARTS



## C. EXPLODED VIEWS OF SPIN DRYER BASKET PARTS

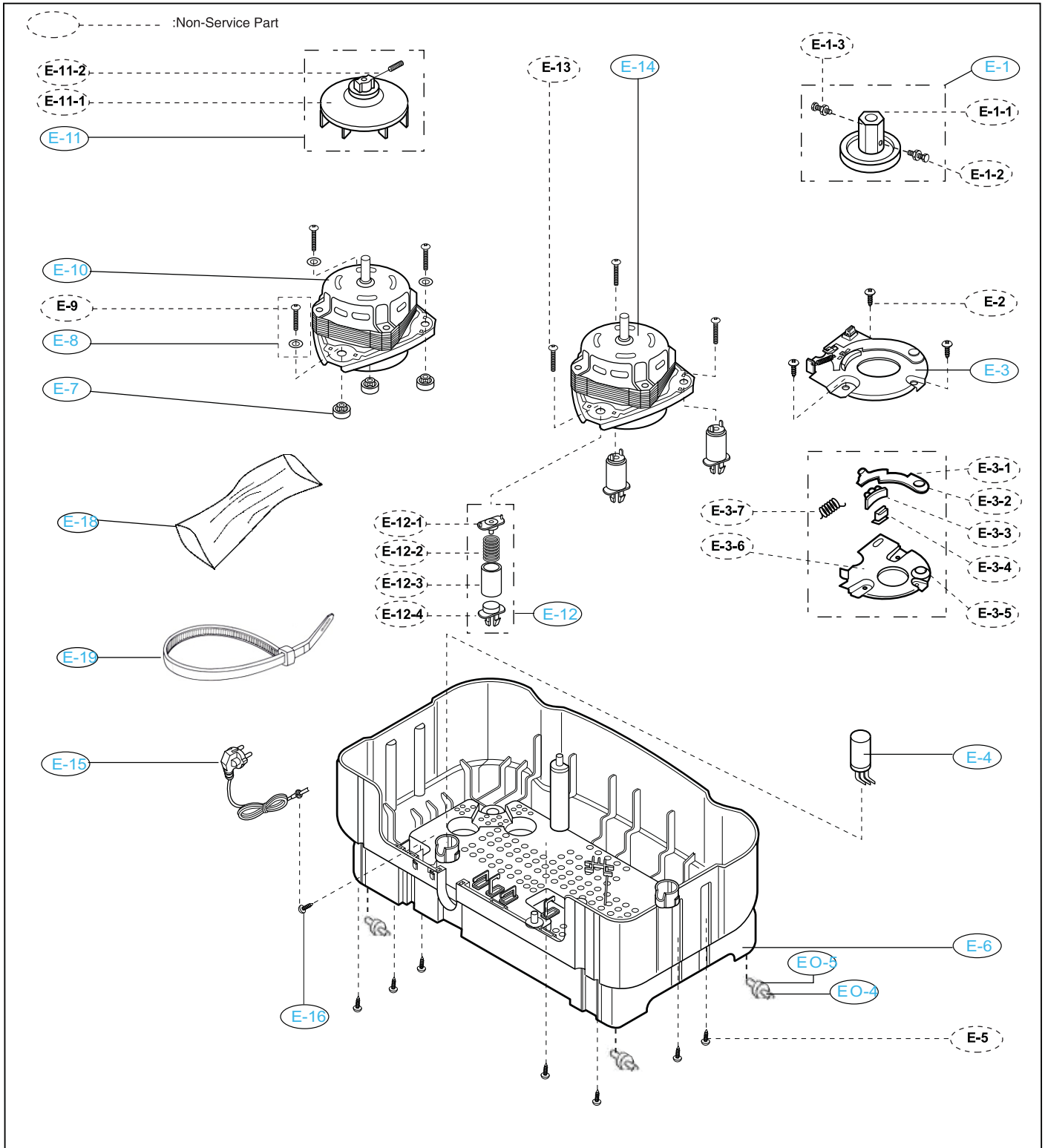


# D. EXPLODED VIEWS OF TUB PARTS



Note : L G Electronics will not stop to develop our technology so part of washing machine please update in G C S C or person in charge of SVC field.

# E. EXPLODED VIEWS OF MOTOR PARTS



Note :LG Electronics will not stop to develop our technology so part of washing machine please update in GCSC or person in charge of SVC field.